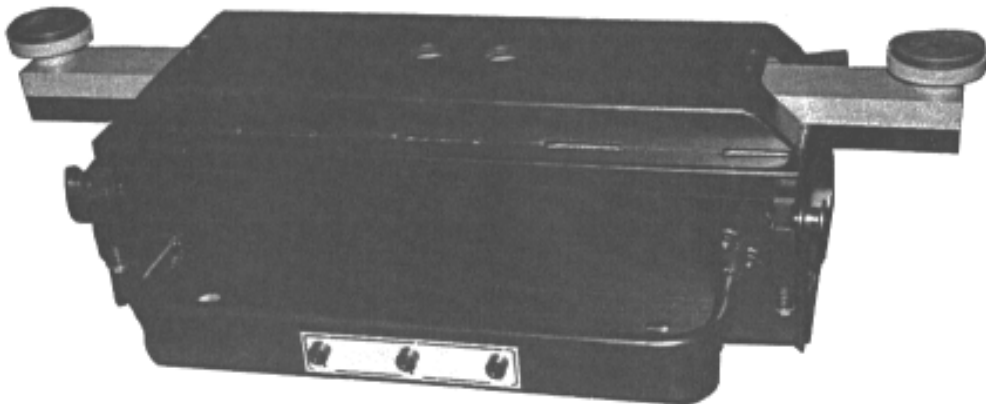
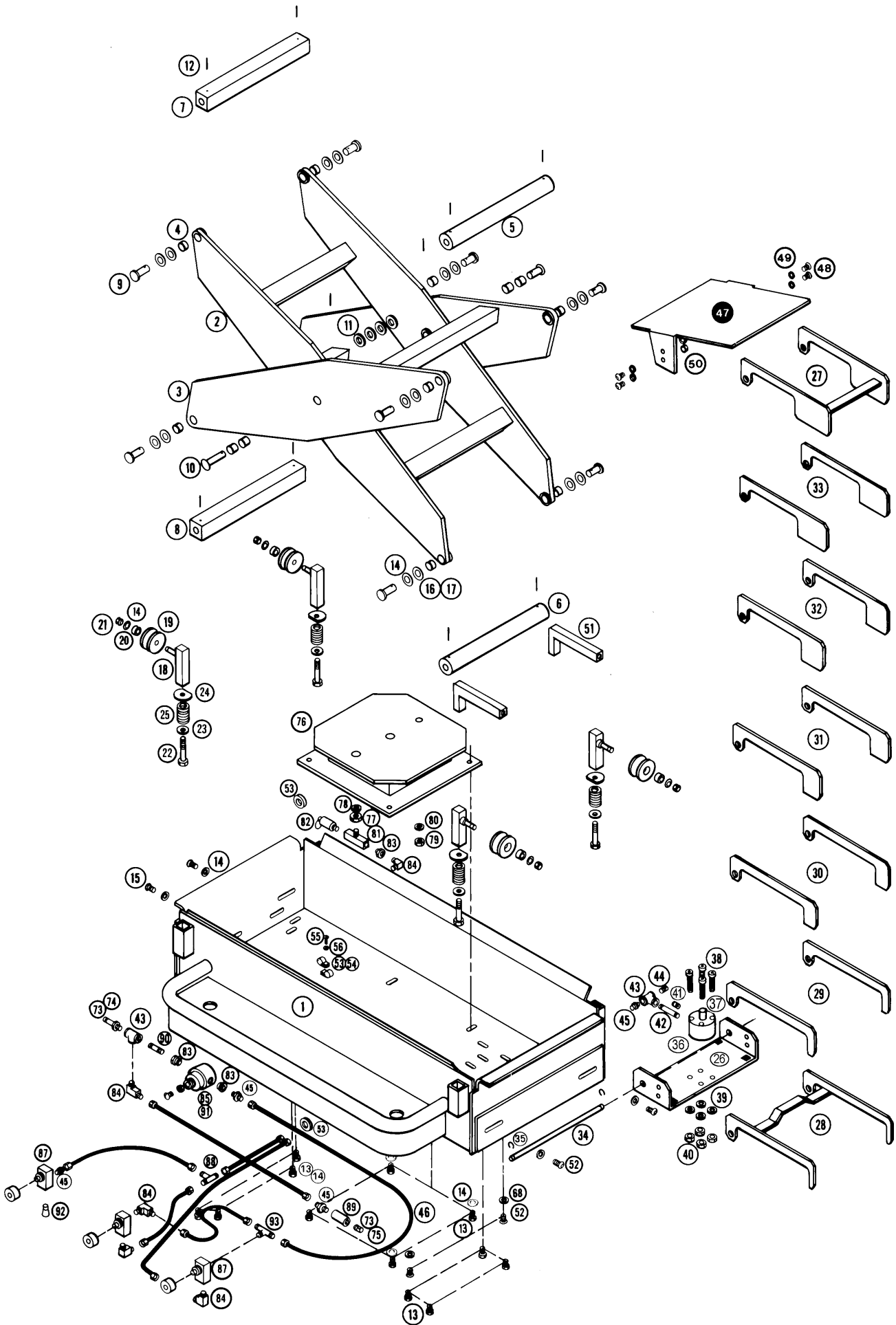


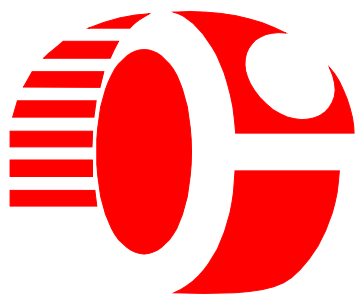
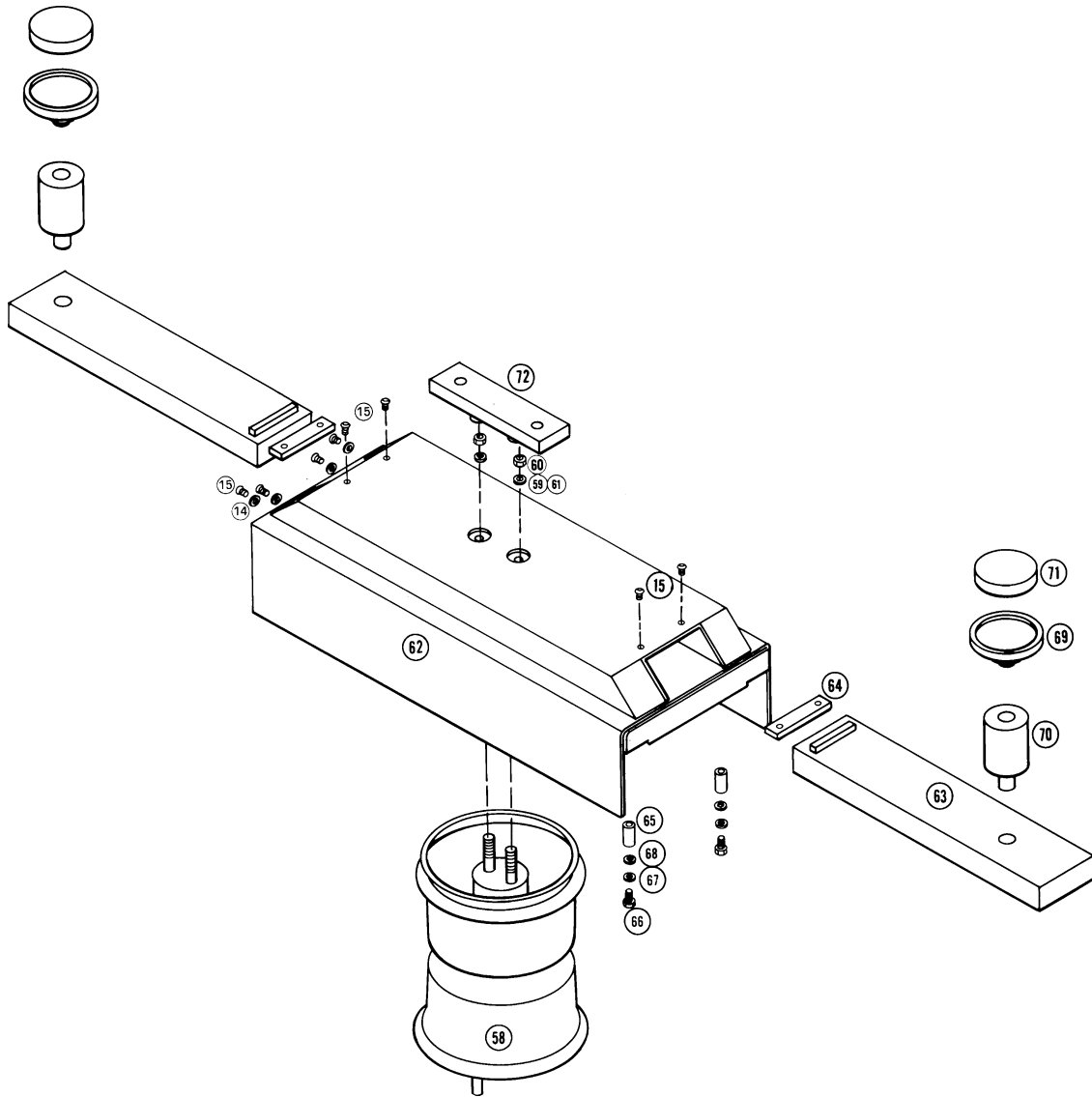
John
BEAN
Company

Model 98 Roller Jack Parts Reference



Reference Number	Part Number	Discription	Reference Number	Part Number	Discription
1	98098	Base Weldment	53	68017	Grommet
2	98010	Inside Scissor Weldment	54	1101788	Hose Clamp
3	98015	Outside Scissor Weldment	55	1101755	Screw #8-32x5/8"
4	63554	Sleeve Bearing	56	1101583	Lockwasher #8
5	98017	Top Scissors Roller	57*	1187293	Flat Washer #8
6	98018	Bottom Scissors Roller	58	98059	Air Spring
7	98019	Upper Trunnion	59	1100245	Lockwasher 1/2"
8	98020	Lower Trunnion	60	1109531	Nut 1/2"-20
9	98087	Scissors Pin	61	1100257	Flat Washer 1/2"
10	98021	Center Scissors Pin	62	98060	Cover Weldment Assy.
11	1100266	Flat Washer 5/8"	63	98067	Lifting Arm Weldment Assy.
12	1177718	Roll Pin 5/32" x 1 1/4"	64	98070	U-channel Stop
13	1100069	Screw HHC 1/4"-20 x 5/8"	65	98071	Upper Roller Stop Spacer
*	1100241	Lock Washer	66	1100770	Screw But. Hd. 3/8"-16x2-3/4"
14	1101930	Flat Washer 1/4"	67	1100243	Lockwasher 3/8"-
15	1101931	Screw 1/4"-20x5/8"	68	1100256	Flat Washer 3/8"-
17	98023	1/16" Shim	69	98079	Lifting Pad Weldment Assy.
18	98121	Roller Support Bar Weldment	70	98082	Lifting Pad Extensions
19	98123	Roller, Jack	71	98083	Lifting Arm Pad
*	98137	Needle Bearing, roller	72	98084	Center Adapter
21	1120242	Stp nut	73	1100256	Washer 3/8"-
*	1100257	1/2"-13, Washer	74	8025690	Air Chuck 1/8" MPT
22	1100056	1/2", Screw Bolt	75	59539	Plug 1/8" MPT
23	1107385	Flat Washer 1/2"	76	98055	Air Bag Support Weldment
24	98029	Spring Washer	77	1109592	Jam Nut 3/4"-16
25	98030	Spring	78	1101627	Lockwasher 3/4"
	98101	LATCH ASSEMBLY - INCLUDES:	79	1109531	Nut 1/2"-20
26	98102	Latch Base Weldment Assy.	80	1100245	Lockwasher 1/2"
27	98104	Inside Latch Weldment Assy.	81	1101628	Tee 1/4" MPT - 1/4" FPT
28	98106	Outside Latch Weldment Assy.	82	1262153	Relief Valve 1/4" MPT
29	98108	No. 2 Latch Arm	83	1106072	Adaptor 1/4" MPT - 1/8" FPT
30	98109	No. 3 Latch Arm	84	1101952	Elbow 1/8" MPT - 5/16" tube
31	98110	No. 4 Latch Arm	85	68094	Regulator (Factset to 120 PSI)
32	98111	No. 5 Latch Arm	87	98130	Air Valve
33	98112	No. 6 Latch Arm	*	98131	Air Valve Button
34	98044	Latch Pivot Shaft	88	1101934	Tee 5/16" tube OD
35	1118804	Snap Ring	89	1101951	Coupling 1/8" NPT
36	98046	Latch Cylinder	90	1105731	Nipple 1/8" NPT x 1 1/2"
37	69940	Latch Cylinder Bearing	91	1187817	Plug 1/8" NPT
38	1101873	Screw Soc. Hd #6-32x2.0"	92	1101936	Muffler 1/8" NPT
39	1187287	Flat Washer #6	93	1106072	Adaptor 1/8" NPTF 1/4" NPT
40	1101255	Nut 6-32	*	98072	Lever Warning Label
41	69933	Breather 1/8" MPT	*	59840	Roller Warning Label
42	1100890	Long Nipple 1/8" MPT	*	98074	"98" Label
43	1105133	Tee 1/8" MPT	*	98075	Capacity Warning Label
44	98047	Orifice	*	98076	Valve Operation Label
45	1101953	Adapter 1/8 MPT to 5/16" tube	*	98077	Jack Operation Label
46	996074	5/16" Plastic Tube	*	98125	Loading Warning Label
47	98048	Latch Cover Assy.	*	98091	Lock Assy. (1770 Application)
48	1187794	Screw 1/4"-20x1/2"			(One required per Jack)
49	1100254	Flat Washer 1/4"	*	1100054	Screw 1/2"-13x1.0"
50	1120238	Nut 1/4"-20	*	1100257	Washer 1/2"
*	69971	Coiled Air Hose Assy. 1/4" ID	*	98118	Spacer
*	1100057	Bolt Bag	*	98097	Jack Stop
51	98049	Scissor Roller Stop Weldment	*	1100805	Screw
52	1187799	Screw But. Hd. 3/8"-16x3/4"	*	1107383	Washer
			*	1100241	Lock Washer
			*	68819	Label - John Bean
			*	44309	Label - Warning - Raising





John
BEAN
Company

John Bean Company
309 Exchange Ave.
Conway, Arkansas 72032
Tel.: 1-800-362-8326 or (501) 450-1500
Fax: (501) 450-1585